

**Preliminary**



### HD/1,280 x 960 H.264 Dome Network Camera with 2x Extra Zoom (WV-SF135) VGA/640 x 480 H.264 Dome Network Camera (WV-SF132)

#### Key Features

- 720p HD images up to 30 fps (WV-SF135)
- 1.3 Megapixel high sensitivity MOS Sensor (WV-SF135)
- 0.32 Megapixel high sensitivity MOS Sensor (WV-SF132)
- Multiple H.264 (High profile) streams and JPEG streams ensure simultaneous real time monitoring and high resolution recording by “UniPhier®”, Panasonic’s proprietary System LSI platform.
- Full frame (Up to 30 fps) transmission at 1,280 x 960 image size (WV-SF135)
- Full frame (Up to 30 fps) transmission at VGA (640 x 480) image size (WV-SF132)
- ABS (Adaptive Black Stretch) technologies deliver wider dynamic range compared with conventional cameras.
- High sensitivity with Day & Night (Electrical) function:
  - 0.8 lx (Color), 0.6 lx (B/W) at F2.2 (WV-SF135)
  - 2.0 lx (Color), 1.3 lx (B/W) at F2.9 (WV-SF132)
- VIQS (Variable Image Quality on Specified area) technology allows the designated area to retain higher image quality while the excluded area will have a decreased image quality, which enables to use lower image file size and bit rate.
- Digital Noise Reduction: 3D-DNR ensures noise reduction in various conditions.
- Progressive scan ensures clear images with less motion blur and no tearing even when the subject is moving.
- Superior color reproduction by primary (RGB) color filter
- Electronic sensitivity enhancement:
  - Auto (Up to 16x) / OFF (WV-SF135)
  - Auto (Up to 8x) / OFF (WV-SF132)
- 2x extra zoom under VGA resolution (WV-SF135)
- 2x, 4x digital zoom controlled by browser
- Selectable light control modes: Indoor scene (50 Hz) / Indoor scene (60 Hz) / ELC (maximum exposure time)
  - Indoor scene (50 Hz/60Hz): Flicker caused by fluorescent lightning will be automatically compensated.
  - ELC (maximum exposure time): The lightning control will be automatically performed by adjusting shutter speed in the range of ELC.
- VMD (Video Motion Detection) with 4 programmable detection areas, 15 steps sensitivity level and 10 steps detection size
- Face detection function detects the position of human face and the information is sent by XML or video stream.
- Meta data for VMD works with the WJ-ND400 playback VMD function.
- Privacy Zone can mask up to 2 private areas, such as house windows and entrances/exits.
- Camera title display: Up to 20 alphanumeric characters on the browser
- Alarm sources including VMD and Panasonic alarm command can trigger actions such as FTP image transfer, E-mail notification, Indication on browser, and Panasonic alarm protocol output.
- JPEG Image compression ratio can be changed by alarm so that higher quality image can be provided.
- Prioritized stream control: One of the video streams can be prioritized when multiple recorders or client PCs are accessing the camera so that the recorder or the client PC can maintain the frame rate.
- H.264 max. bit rate/client and Total bit rate control allows flexible network traffic management. Frame rate priority mode controls bit rate and compression ratio to provide the specified frame rate.
- Internet mode: H.264 images can be transmitted over HTTP protocol.
- Multi-language: English / Italian / French / German / Spanish / Russian / Chinese / Japanese
- IPv4/IPv6 protocol supported
- Supports SSL, DDNS (viewnetcam, RFC2136)
- Still images (JPEG) can be viewed on mobile phones via Internet.
- Onvif compliant model
- Low profile design for discrete installation
- Wide coverage
  - WV-SF135 Horizontal: 104°, Vertical: 85°
  - WV-SF132 Horizontal: 68°, Vertical: 53°

#### Standard Accessories

- Installation Guide .....1 pc.
- Important Safety Instructions.....1 pc.
- CD-ROM\*1 .....1 pc.
- Code Label\*2 .....1 pc.
- Lens adjuster.....1 pc.

The followings are for installation.

- Installation Template Label .....1 pc.

\*1 The CD-ROM contains the operating instructions and different kinds of tool software programs.  
\*2 This label may be required for network management. The network administrator shall retain the code label.

## Specifications

TV System		NTSC	PAL	
<b>Camera</b>	Image Sensor	WV-SF135: 1/3 type MOS image Sensor WV-SF132: 1/5 type MOS image Sensor		
	Effective Pixels	WV-SF135: Approx. 1.3 megapixels WV-SF132: Approx. 0.32 megapixels		
	Scanning Mode	Progressive		
	Scanning Area	WV-SF135: 4.8 mm (H) x 3.6 mm (V) (3/16" (H) x 5/32" (V)) WV-SF132: 2.69 mm (H) x 2.01 mm (V) (1/8" (H) x 1/16" (V))		
	Minimum Illumination	WV-SF135: Color: 0.8 lx (F2.2, Auto slow shutter: Off (1/30 s), Gain: On(High)) 0.05 lx (F2.2, Auto slow shutter: Max. 16/30 s, Gain: On(High)) BW: 0.6 lx (F2.2, Auto slow shutter: Off (1/30 s), Gain: On(High)) 0.04 lx (F2.2, Auto slow shutter: Max. 16/30 s, Gain: On(High)) WV-SF132: Color: 2.0 lx (F2.9, Auto slow shutter: Max. 8/30 s, AGC: High) 0.3 lx (F2.9, Auto slow shutter: Max. 8/30 s, AGC: High) *1 BW: 1.3 lx (F2.9, Auto slow shutter: Max. 8/30 s, AGC: High) 0.16 lx (F2.9, Auto slow shutter: Max. 8/30 s, AGC: High) *1		
	White Balance	AWC (2,000 - 10,000 K), ATW1 (2,700 - 6,000 K), ATW2 (2,000 - 6,000 K)		
	Light Control Mode	Indoor scene (50 Hz / 60 Hz) / ELC		
	ELC (Maximum exposure time)	1/30, 3/100, 3/120, 2/100, 2/120, 1/100, 1/120, 1/250, 1/500, 1/1,000, 1/2,000, 1/4,000, 1/8,000 (WV-SF132), 1/10,000 (WV-SF135)		
	Day & Night (Electrical)	OFF / AUTO		
	Digital Noise Reduction	High / Low		
	Face Detection	ON / OFF (with the XML notification setting)		
	Adaptive Black Stretch	ON / OFF		
	AGC	ON (LOW, MID, HIGH) / OFF		
	Auto Slow Shutter	WV-SF135: Off(1/30s), Max. 2/30 s, Max. 4/30s, Max. 6/30s, Max. 10/30s, Max. 16/30s WV-SF132: Off(1/30s), Max. 2/30 s, Max. 3/30s, Max. 4/30s, Max. 8/30s		
	Video Motion Detection	ON / OFF, 4 areas available		
Privacy Zone	ON / OFF (up to 2 zones available)			
VIQS	ON / OFF			
Camera title	Up to 20 characters (alphanumeric characters, marks), ON / OFF			
<b>Lens</b>	Focal Length	1.95 mm		
	Zoom Ratio	WV-SF135: 1x Extra Zoom:2x (under VGA resolution) WV-SF132: -		
	Maximum Aperture Ratio	1 : 2.2 (WV-SF135) 1:2.9 (WV-SF132)		
	Adjusting Angle	Ceiling Installation Horizontal: -20° to +20° Vertical: -20° to +90° Wall Installation Horizontal: -80° to +80° Vertical: -90° to +20°		
	Angular Field of View	WV-SF135: Horizontal: 104°, Vertical: 85° WV-SF132: Horizontal: 68°, Vertical: 53°		
<b>Browser GUI</b>	Supported OS	Microsoft® Windows® 7, Microsoft® Windows Vista®, Microsoft® Windows® XP SP3		
	Supported Browser	Windows® Internet Explorer® 9.0 (32 bit), Windows® Internet Explorer® 8.0 (32 bit), Windows® Internet Explorer® 7.0 (32 bit), Microsoft® Internet Explorer® 6.0 SP3		
<b>Network</b>	Network IF	10Base-T / 100Base-TX, RJ-45 connector		
	Image Resolution	Aspect ratio: [4 : 3]	WV-SF135: H.264: 1,280 x 960 / VGA (640 x 480) / QVGA (320 x 240), up to 30 fps JPEG (MJPEG): 1,280 x 960 / VGA (640 x 480) / QVGA (320 x 240), up to 30 fps WV-SF132: H.264: VGA (640 x 480) / QVGA (320 x 240), up to 30 fps JPEG: VGA (640 x 480) / QVGA (320 x 240), up to 30 fps	
		Aspect ratio: [16 : 9]	WV-SF135 H.264: 1280 x 720 / 640 x 360 / 320 x 180, up to 30 fps JPEG: 1280 / 720 / 640 x 360 / 320 x 180, up to 30 fps WV-SF132 H.264: 640 x 360 / 320 x 180, up to 30 fps JPEG: 640 x 360 / 320 x 180, up to 30 fps	
		Frame Rate	1/3 / 5 / 7.5 / 10 / 15 / 20 / 30 fps   1/3 / 5 / 7.5 / 10 / 12 / 15 / 20 / 30 fps	
		Bit Rate/Client	64 / 128 / 256 / 384 / 512 / 768 / 1,024 / 1,536 / 2,048 / 3,072 / 4,096 / 8,192* kbps *H.264 mode only (WV-SF135)	
		Image Quality	LOW / NORMAL / FINE	
	Transmission Type	UNICAST / MULTICAST		
	JPEG (MJPEG)	Image Quality	0 SUPER FINE / 1 FINE / 2 / 3 / 4 / 5 NORMAL / 6 / 7 / 8 / 9 LOW (10 steps: 0-9)	
	JPEG (MJPEG)	Transmission Type	PULL / PUSH	
	Trancemission Interval	0.1 fps - 30 fps (JPEG frame rate will be restricted when display both JPEG and H.264 images)		
	Bandwidth Control	64 / 128 / 256 / 384 / 512 / 768 / 1,024 / 2,048 / 4,096 / 8,192 kbps / Unlimited		
	Supported Protocol	IPv6: TCP/IP, UDP/IP, HTTP, HTTPS, RTP, FTP, SMTP, DNS, NTP, SNMP, DHCPv6 IPv4: TCP/IP, UDP/IP, HTTP, HTTPS, RTSP, RTP, RTP/RTCP, FTP, SMTP, DHCP, DNS, DDNS, NTP, SNMP, UPnP		
	FTP Client	Alarm image transmission, FTP periodic transmission		
	Multi-screen	Up to 16 camera images can be displayed simultaneously on a multi-screen. (Including the camera itself)		
	Maximum Concurrent Access Number	14 (Depends on network conditions)		
Cellular Phone Compatibility	JPEG image			
Mobile Terminal Compatibility	iPad, iPhone, iPod touch			

TV System		NTSC	PAL
<b>Alarm</b>	Alarm Source	VMD, Command alarm	
	Alarm Actions	E-mail notification, Indication on browser, FTP image transfer, Panasonic protocol output	
	Schedule	VMD	
<b>General</b>	Power Source	PoE (IEEE802.3af compliant)	
	Power Consumption	WV-SF135: PoE 48 V: 54 mA (Class1 device) WV-SF132: PoE 48 V: 46 mA (Class1 device)	
	Ambient Operating Temperature/Humidity	0 °C ~ +40 °C (32 °F ~ 104 °F), Less than 90 % (no condensation)	
	Dimensions	ø100 mm x 47 mm (H) (ø3-15/16" x 5-3/4" (H))	
	Mass (approx.)	200 g (0.44 lbs.)	
	Finish	Main Body: ABS resin, Sail White Dome Section: Clear Polycarbonate Resin	

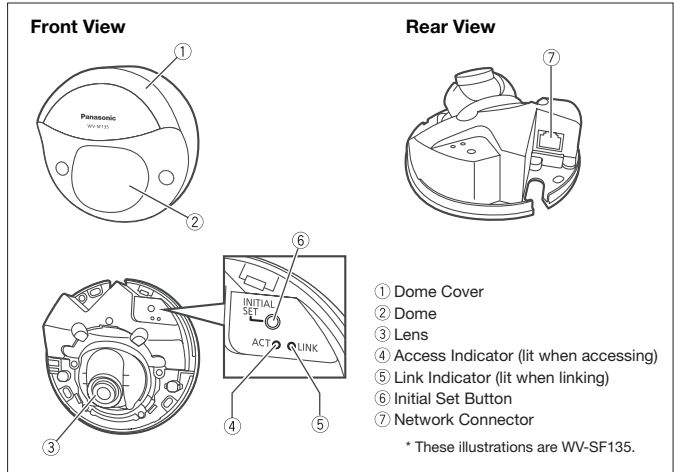
\*1 Converted value

\*2 Transmission for 2 streams can be individually set in the same compression method.

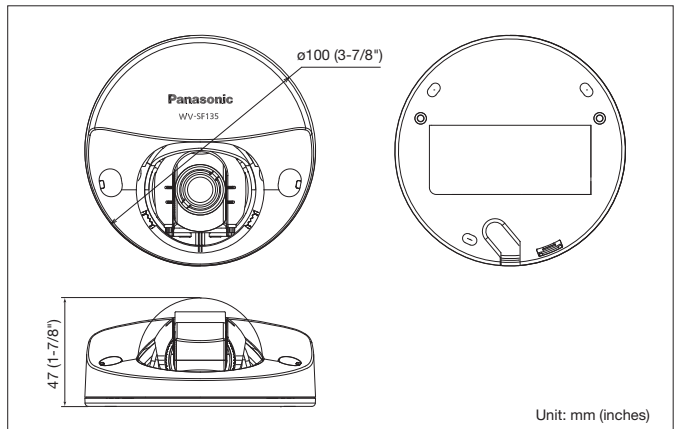
\*3 Refer to "Notes on Windows Vista® / Windows® 7" on the provided CD-ROM for further information about system requirements for a PC and precautions when using Microsoft® Windows® 7 or Microsoft® Windows Vista®.

\*4 When using IPv6 for communication, use Microsoft Windows 7 or Microsoft Windows Vista.

## Part Names and Functions



## Appearance



### Trademarks and registered trademarks

- Microsoft, and Windows are registered trademarks of Microsoft Corporation in the U.S. and other countries.
- iPad, iPhone and iPod touch are registered trademarks of Apple Inc.
- ONVIF and the ONVIF logo are trademarks of ONVIF Inc.
- UniPhier is a registered trademark of Panasonic Corporation.
- "Super Dynamic", "SDII", "SDIII", "SD5", "SD5Link", "i-PRO" and "i-PRO SmartHD" logos are trademarks or registered trademarks of Panasonic Corporation.

### Important

- Safety Precaution: carefully read the operating instructions and installation manual before using this product.
- Panasonic can not be responsible for network performance and/or other manufacturer products that reside on the network.

- All TV pictures are simulated.
- Masses and dimensions are approximate.
- Specifications are subject to change without notice.
- These products may be subject to export control regulations.
- All product pictures are NTSC models.

DISTRIBUTED BY:

**Panasonic**®

<http://panasonic.net/security/>

Printed in Japan (2A-078A)